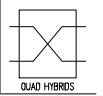


QHS-2 Series 90° POWER DIVIDERS / COMBINERS

1 to 200 MHz / 10% Bandwidth Standard / Low Insertion Loss / High Isolation / PC Mounting Pkg

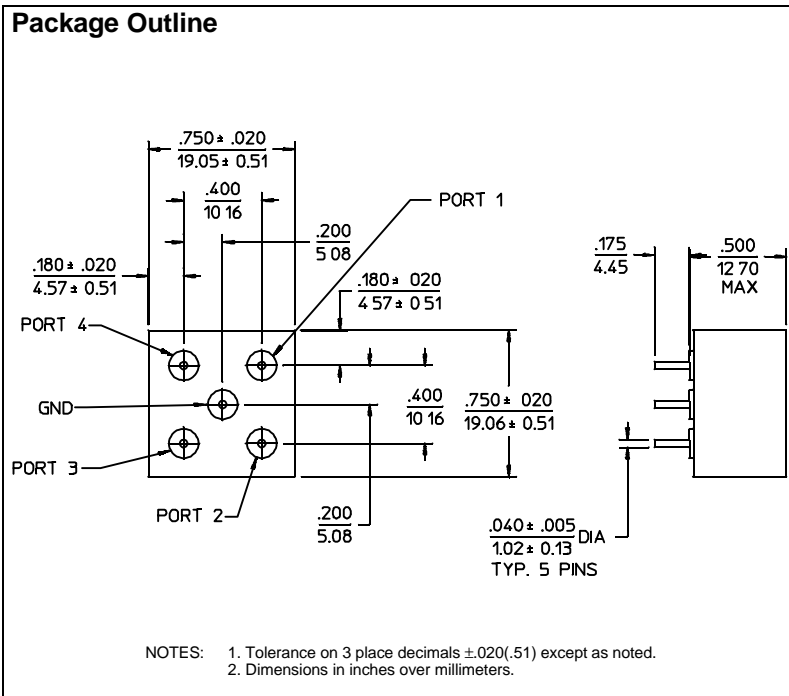


Phasing Diagram - A				
	1	2	3	4
1		ref.	-90°	Isol.
2	ref.		Isol.	-90°
3	-90°	Isol.		ref.
4	Isol.	-90°	ref.	

<u>PRINCIPAL SPECIFICATIONS</u>		
Model Number	Center Frequency, f_0	Usable Bandwidth, MHz
QHS-2-60	60 MHz	57 - 63
QHS-2-***B	1 to 200 MHz	$f_0 \pm 5\%$

For complete Model Number replace ***with desired Center Frequency, f_0 in MHz.

<u>GENERAL SPECIFICATIONS</u>	
Coupling:	- 3 dB nom.
Isolation:	25 dB min.
Insertion Loss:	0.3 dB max.
Phase Tolerance:	$90^\circ \pm 3^\circ$ max.
Amplitude Balance:	0.6 dB max
Impedance:	50 Ω nom.
VSWR:	1.3:1 max.
CW Input:	1 Watt max.
Weight, nominal:	0.65 oz (18 g)
Operating Temperature:	-55° to +85°C



General Notes:

1. The QHS-2 series of 3 dB Quadrature Hybrids covers 1 to 200 MHz using a special lumped element design to reduce the size making it ideal for applications where high performance and PC packaging are required.

